

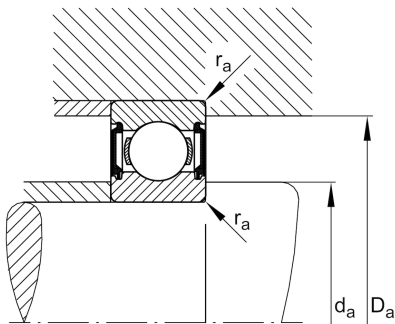
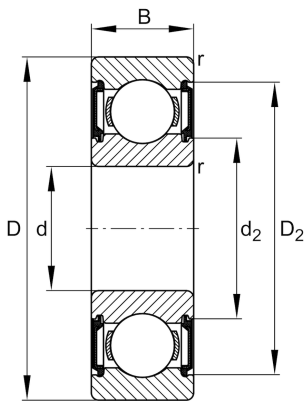
FAG

6000-C-2BRS

Deep groove ball bearing

Schaeffler ID:
0620097100000Deep groove ball bearing 60...-C-2BRS,
single row, Generation C, shields, steel
sheet metal cage

Technical information

**Main Dimensions & Performance Data**

d	10 mm	Bore diameter
D	26 mm	Outside diameter
B	8 mm	Width
C_r	5.300 N	Basic dynamic load rating, radial
C_{0r}	1.970 N	Basic static load rating, radial
C_{ur}	136 N	Fatigue load limit, radial
n_G	38.000 1/min	Limiting speed
n_{gr}	30.000 1/min	Reference speed
	0,019 kg	Weight

Dimensions

r_{min}	0,3 mm	Minimum chamfer dimension
D_2	23,1 mm	Caliber diameter outer ring
d_2	13,7 mm	Caliber diameter inner ring

Mounting dimensions

$d_{a min}$	12 mm	Minimum diameter shaft shoulder
$D_{a max}$	24 mm	Maximum diameter of housing shoulder
$r_{a max}$	0,3 mm	Maximum fillet radius

Calculation factors

f_0	12,4	Calculation factor
-------	------	--------------------

Temperature range

T_{min}	-20 °C	Operating temperature min.
T_{max}	110 °C	Operating temperature max.